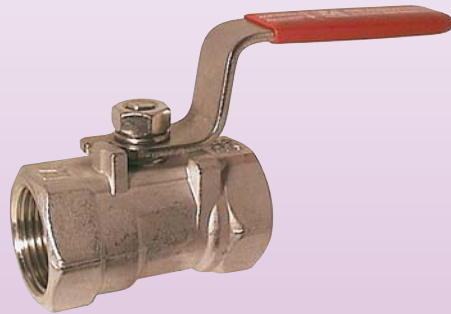


## Stainless Steel Ball Valves

2- and 3-Way Ball Valves with  
 Screw Thread and Weld Ends



- p<sub>max.</sub> PN 64
- t<sub>max.</sub> +180 °C
- Connections:  
screw thread G 1/4 to G 2
- Weld ends  
DN 10 to DN 50

- For steam, gaseous, liquid  
and viscous media
- 1-, 2- and 3-part versions
- T- and L-bore  
(for 3-way version)



KOBOLD companies worldwide:

ARGENTINA, AUSTRIA, BELGIUM, CANADA, CHILE, CHINA, CZECHIA,  
 FRANCE, GERMANY, GREAT BRITAIN, INDIA, INDONESIA, ITALY,  
 MALAYSIA, MEXICO, NETHERLANDS, POLAND, SINGAPORE, SLOVAKIA,  
 SPAIN, SWITZERLAND, THAILAND, USA, VENEZUELA, VIETNAM

KOBOLD Messring GmbH  
 Nordring 22-24  
 D-65719 Hofheim/Ts.  
 ☎ +49(0)6192 299-0  
 Fax +49(0)6192 23398  
 E-Mail: info.de@kobold.com  
 Internet: www.kobold.com

Models:  
 KUG-  
 ZE, ZF,  
 ZG, PD

**Design**

Three-piece, threaded joint construction with full cylindrical bore. stamping as per AD approval certificate A 4.

**Materials**

Body: stainless steel 1.4408  
 Ball: stainless steel 1.4408  
 Ball gasket: PTFE, glass-fiber reinforced  
 Spindle gasket: PTFE  
 Handle: stainless steel 1.4301, plastic sheathed

**Technical Details**

Connections: female thread G 1/4 to G 2  
 weld ends DN 10 to DN 50  
 (to G 4 or DN 100 also available upon request)  
 Temperature range: -30 °C to +180 °C  
 Nominal pressure: PN 64/PN 40 (G 1 1/4 - G 2)  
 Operation: 90° rotation of handle

Model with threaded connection



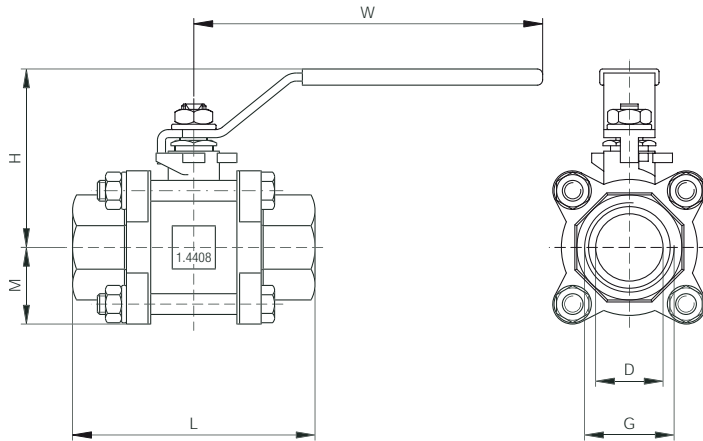
Model with weld ends



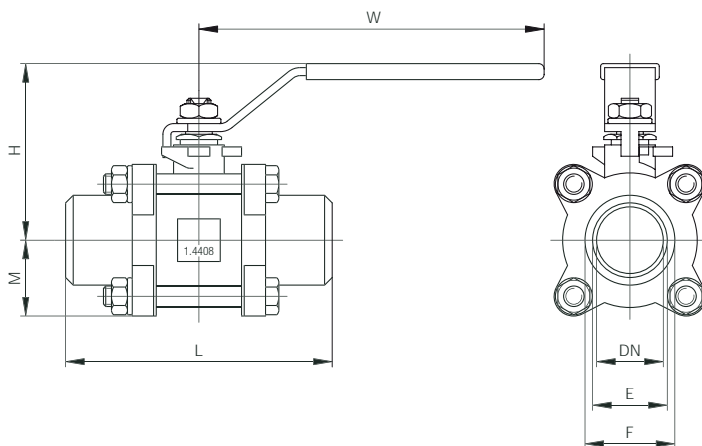
**Order Details** (example: KUG-ZER 08)

Connection female thread	Order no.	Connection weld ends	Order no.	PN [bar]
G 1/4	KUG-ZER 08	-	-	64
G 3/8	KUG-ZER 10	DN 10	KUG-ZEW 10	64
G 1/2	KUG-ZER 15	DN 15	KUG-ZEW 15	64
G 3/4	KUG-ZER 20	DN 20	KUG-ZEW 20	64
G 1	KUG-ZER 25	DN 25	KUG-ZEW 25	64
G 1 1/4	KUG-ZER 32	DN 32	KUG-ZEW 32	40
G 1 1/2	KUG-ZER 40	DN 40	KUG-ZEW 40	40
G 2	KUG-ZER 50	DN 50	KUG-ZEW 50	40

Threaded connection



Weld ends



Dimensions with screw thread

Scew Thread [G]	D [mm]	L [mm]	H [mm]	M [mm]	W [mm]	Weight [kg]
1/4	12	50	45	19	81.5	0.25
3/8	12	60	45	19	81.5	0.34
1/2	15	75	48.5	21	81.5	0.34
3/4	20	80	59	25	101.5	0.59
1	25	90	70	29	126.5	0.92
1 1/4	32	110	76	33	126.5	1.31
1 1/2	38	120	90	39	161.5	2.13
2	50	140	99	46	161.5	3.46

Dimensions with weld ends

DN [mm]	L [mm]	H [mm]	M [mm]	W [mm]	E [mm]	F [mm]	Weight [kg]
10	70	45	19	81.5	13	17.2	0.25
15	75	48.5	21	81.5	17	21.3	0.36
20	90	59	25	101.5	22	26.9	0.59
25	100	70	29	126.5	28	33.7	0.88
32	110	76	33	126.5	37	42.4	1.32
40	125	90	39	161.5	43	48.3	2.12
50	150	99	47	161.5	54	60.3	3.34

**Design**

Two-piece threaded-joint construction with full cylindrical bore.  
Stamping as per AD approval certificate A 4.

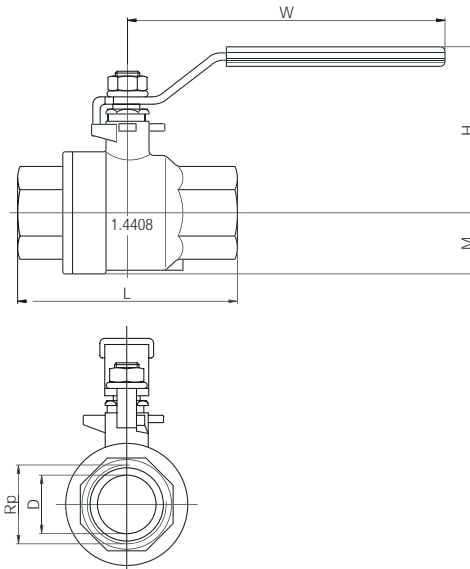
**Materials**

Body: stainless steel 1.4408  
Ball: stainless steel 1.4401  
Ball gasket: PTFE, glass-fiber reinforced  
Handle: stainless steel 1.4301, plastic sheathed

**Technical Details**

Connections: female thread Rp 1/4 to Rp 2 (as per DIN 2999)  
Temperature range: -30 °C to +180 °C  
Nominal pressure: PN 64/PN 40 (G 1 1/4 - G 2)  
Operation: 90° rotation of handle

**KUG-ZF**



**Dimensions and Order Details** (example: KUG-ZFR 08)

Screw thread [Rp]	Order no. Female thread	D [mm]	L [mm]	H [mm]	M [mm]	W [mm]	Weight [kg]
1/4	KUG-ZFR 08	10	50	45	14	81.5	0.16
3/8	KUG-ZFR 10	12.5	60	45	14	81.5	0.15
1/2	KUG-ZFR 15	15	75	48.5	17	81.5	0.26
3/4	KUG-ZFR 20	20	80	59	20	101.5	0.42
1	KUG-ZFR 25	24.5	90	70	25	126.5	0.68
1 1/4	KUG-ZFR 32	32	110	75.5	30	126.5	1.08
1 1/2	KUG-ZFR 40	38	120	89.5	36	161.5	1.64
2	KUG-ZFR 50	50	140	99	45	161.5	2.79

**Design**

One-piece threaded joint construction with reduced cylindrical bore. Stamping as per AD approval certificate A 4.

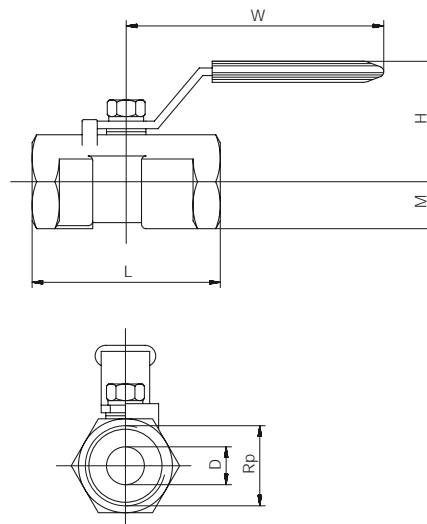
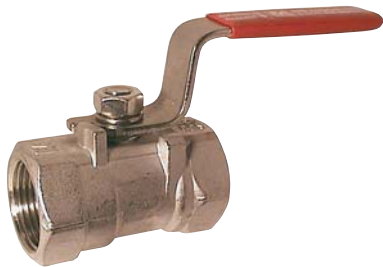
**Materials**

Body: stainless steel 1.4408  
 Ball: stainless steel 1.4401  
 Ball gasket: PTFE, glass-fiber reinforced  
 Handle: stainless steel 1.4301 plastic sheathed

**Technical Details**

Connections: female thread Rp 1/4 to Rp 1 (as per DIN 2999)  
 Temperature range: -30°C to +180°C  
 Nominal pressure: PN 64 to 80°C  
 Operation: 90° rotation of handle

**KUG-ZG**



**Dimensions and Order Details** (example: KUG-ZGR 08)

Screw thread [Rp]	Order no. Female thread	Ø D [mm]	L [mm]	H [mm]	M [mm]	W [mm]	Weight [kg]
1/4	KUG-ZGR 08	5.0	38.7	25.6	8.6	65.9	0.06
3/8	KUG-ZGR 10	7.0	44.2	27.1	10.5	78	0.10
1/2	KUG-ZGR 15	9.0	55.6	34.4	12.5	95	0.165
3/4	KUG-ZGR 20	12.5	62.1	37.7	16.0	95	0.248
1	KUG-ZGR 25	15.0	68.9	44.6	19.0	112.8	0.405



**Design**

Four-piece, threaded-joint construction, with mounting pad for actuator mounting, reduced cylindric bore, T- or L-bore, sealing on all ports. Does not prevent crossover flow.

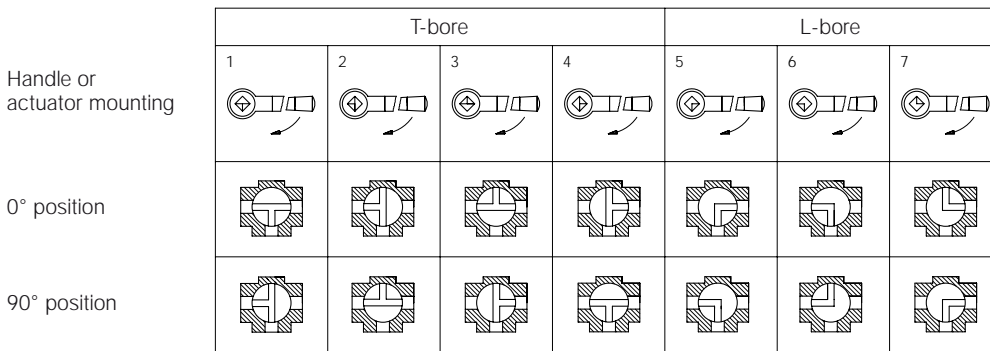
**Materials**

Body: stainless steel 1.4408  
 Ball: stainless steel 1.4401  
 Ball gasket: PTFE  
 Spindle gasket: PTFE/FKM  
 Handle: stainless steel, plastic sheathed, red

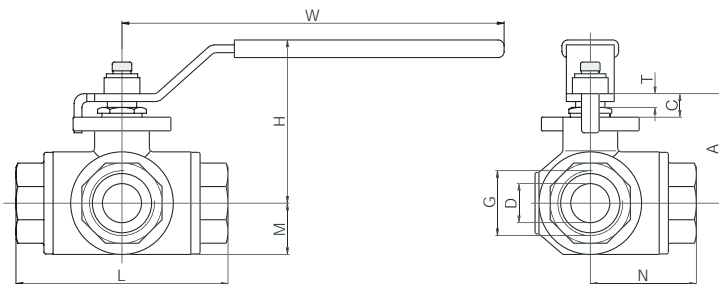
**Technical Details**

Connections: female thread G 1/2 to G 2  
 Temperature range: -30°C to +180°C  
 Nominal pressure: PN 63 bis 80°C  
 Operation: 90° rotation of handle

**Positions**



**KUG-PD**



**Dimensions and Order Details** (example: KUG-PDTR 15)

Screw thread [G]	Order no. T-bore	Order no. L-bore	Ø D [mm]	L [mm]	N [mm]	M [mm]	H [mm]	A [mm]	C [mm]	T [mm]	W [mm]	Weight [kg]
1/2	KUG-PDTR 15	KUG-PDLR 15	11	79	39.5	18.5	65.5	41	10,5	6	160	0.73
3/4	KUG-PDTR 20	KUG-PDLR 20	16	87	44	22.5	80	53	13	7	190	1.11
1	KUG-PDTR 25	KUG-PDLR 25	20	108	54	26.0	82.5	56	12	7	190	1.63
1 1/4	KUG-PDTR 32	KUG-PDLR 32	25	124	62	33.5	94.5	68	12,5	7	190	2.55
1 1/2	KUG-PDTR 40	KUG-PDLR 40	32	134	67	37.5	119	78	17	8	250	3.74
2	KUG-PDTR 50	KUG-PDLR 50	40	164	82	48.0	121	86	16	8	250	6.25